



- CPDS 15
- CPDS 18

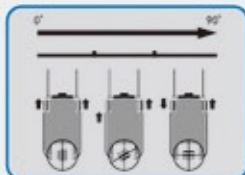
3-Wheel Electric (AC Technology) Forklift truck



Italian SME FULL-AC motor/control unit and ZF gearbox Made in Germany provide world class quality and outstanding performance characteristics.



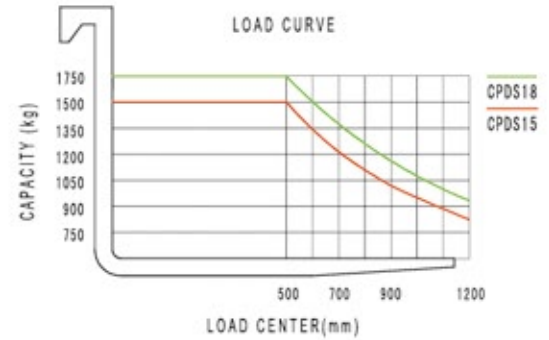
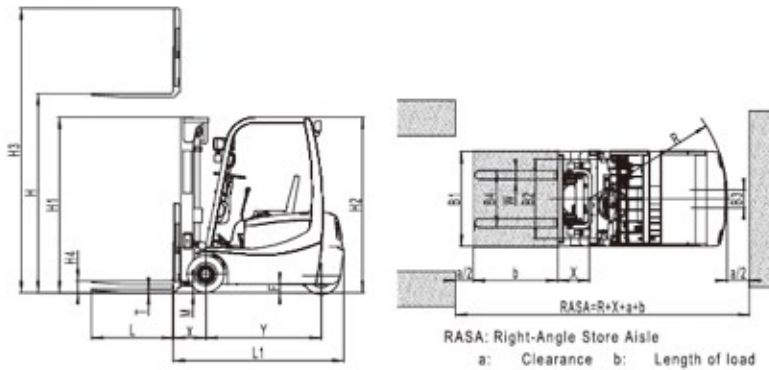
Oil disc brakes provide excellent stopping power and require only minimum maintenance.



Small steering wheel with minimized steering efforts and maximum agility. A suitable choice for limited space.



Power steering with adjustment providing the operator with improved comfort and access.



				KION Baoli		
				CPDS15	CPDS18	
General	Manufacturer			KION Baoli		
	Model			CPDS15	CPDS18	
	Rated capacity	kg	1500	1750		
	Load center	mm	500			
	Power type			Battery		
	Tyre			Super elastic solid tyre		
	No. of tyre(front/rear)			2/2		
	Dimension	Lift height	H	mm	3000	3000
Free lift height		H4	mm	130	130	
Fork size		L x W x T	mm	920 x 100 x 40		
Mast tilt angle (forward/backward)		α / β	deg	5/7		
Overall dimension		Length to fork face	L1	mm	1860	1910
		Overall width	B1	mm	1070	
		Mast lowered height	H1	mm	1980	
		Mast extended height	H3	mm	3945	
		Overhead guard height	H2	mm	1990	
Turning radius		R	mm	1500		
Front overhang		X	mm	360		
Min. right angle stacking aisle width (pallet 800x1200, 1000x1200)	RASA	mm	2860/3060	2910/3110		
Performance	Full load / no load	Travel speed	km/h	14/15.5	13.5/15	
		Lifting speed	mm/sec	300/470		
	Grade ability(full load)		%	20		
	Service weight (including battery)		kg	3100	3260	
	Max. pulling force		KN	14.5	13	
Chassis	Tyre	Front		18 x 7-8PR		
		Rear		16 x 6-8PR		
	Tread	Front	B2	mm	895	
		Rear	B3	mm	205	
	Wheelbase	Y	mm	1295		
Ground clearance(full load/no load)	Mast	M	mm	80/85	75/85	
	Frame	F	mm	100/110		
Power & Control	Battery	Type		Lead-acid battery		
		Voltage	V	48		
		Capacity	Ah	505		
	Motor	Drive motor		KW/rpm	2 x 6.5/1500	
		Hydraulic motor		KW/rpm	12/2200	
Controller				Italian SME AC controller		

KION Baoli reserves the right to make any changes or modifications of pictures and specifications without giving previous notice and without incurring any obligation.

D.A.B. handling, 42 Tannoch Drive, West Lenziemill, Cumbernauld, Lanarkshire, G67 2XX

Tel: 01236 453331

Website: www.dabhandling.com

Email: sales@dabhandling.com, parts@dabhandling.com, info@dabhandling.com